

# Volvo EX90

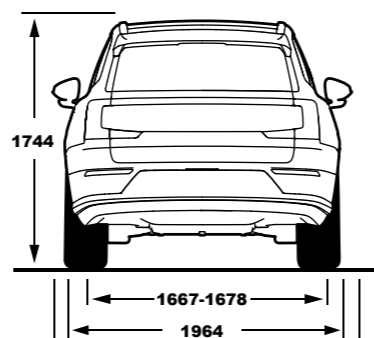
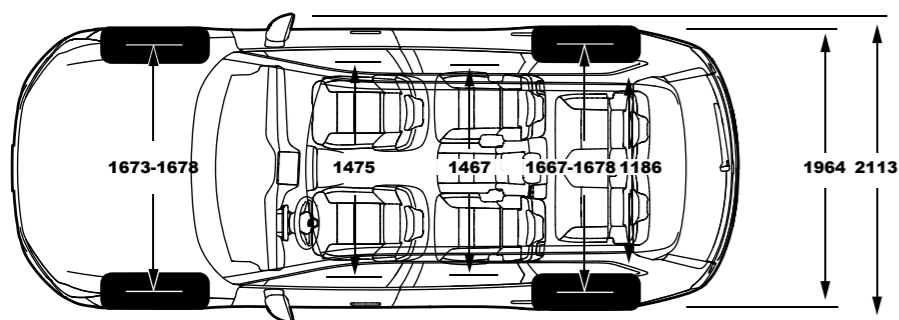
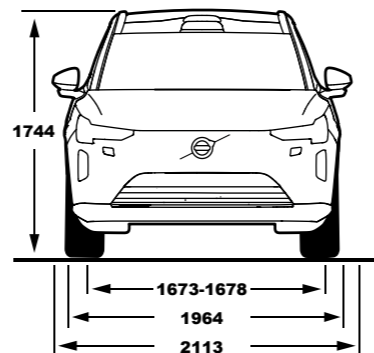
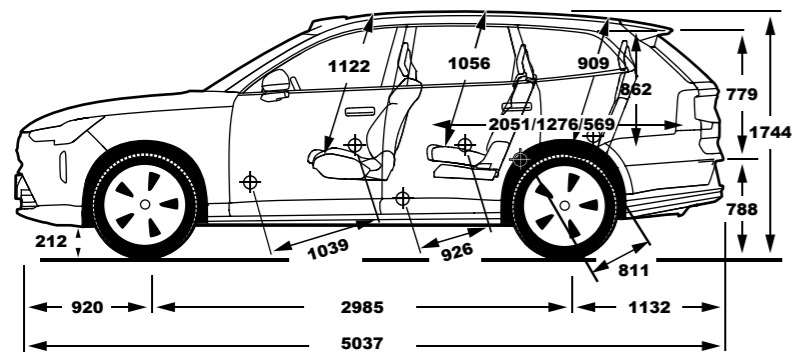
CONT'D VOLVO EX90 →

→ CONT'D VOLVO EX90

ENGINES	Twin Motor Performance (E2)	Twin Motor(EV)
Type	Electric motor front / rear	Electric motor front / rear
Electrical motor max output, kW (hp)/rpm (metric)	370 (503) / n/a	300 (408) / n/a
Electrical motor max output, kW (hp)/rpm (mechanical)	370 (496) / n/a	300 (402) / n/a
Max torque, Nm / rpm	910 / n/a	770 / n/a
Max torque, ft.lbf / rpm	671 / n/a	568 / n/a
PERFORMANCE		
Acceleration, 0–100 km/h (sec)	4.9	5.9
Acceleration, 0–60 mph (sec)	4.7	5.7
Top speed, km/h	180	180
Top speed, mph	112	112
BATTERY		
Battery content, total amount of energy, (kWh) (Nominal)	111	111
Battery content, total amount of energy, (kWh) (Usable)	107	107
Battery type	CATL	CATL
CHARGING		
AC, h (3-PHASE) (16 A / 10 A / 6 A)	11 / 20 / 32	11 / 20 / 32
AC, h (1-PHASE) (48 A / 32 A / 16 A / 10 A)	11 / 17 / 34 / 57	11 / 17 / 34 / 57
DC, min (50 kW) **	97	97
DC, min (150 kW) **	n/a	n/a
DC, min (200 kW) **	32	32
DC, min (250 kW) **	30	30
** (0-80% loading rate, battery temp 20-35 deg C)		
RANGE		
Electric Range, (WLTP) (Combined) (Km) (EU)	n/a	Estimated range of up to ~600
Electric Range, (CLTC) (Km) (China)	n/a	Estimated range of up to ~650
Electric Range, (EPA) (Miles) (US)	Estimated range of up to ~300	n/a

MEASUREMENTS AND VOLUMES	
EXTERIOR MEASUREMENTS (CM)	
Length (L103)	503.7
Width (body width) (W116)	196.4
Width (W103)	196.4
Width (incl mirrors folded) (W144)	211.3
Width (incl mirrors outer edge) (W145)	203.9
Height (at curb weight) (H101)	174.7
Height (at curb weight + 1 person) (H101)	174.4
Wheelbase (L101)	298.5
Overhang (front) (L104)	92.0
Overhang (rear) (L105)	113.2
Vehicle height with open tailgate/trunklid (at curb weight) (H110)	217.8
Track, front (W101-1) (Tire (width): 255/265)	167.3/167.8
Track, front, with air suspension (W101-1) (Tire (width): 255/265)	167.3/167.8
Track, rear (W101-2) (Tire (width): 285/295)	166.7/167.8
Track, rear, with air suspension (W101-2) (Tire (width): 285/295)	166.7/167.8
Ground clearance Standard (at curb weight) (255/265) (H157)	21.2/21.5
Ground clearance with air suspension (at curb weight) (255/265) (H157)	20.5/21.0
Ground clearance Standard (at curb weight + 1 person) (255/265) (H157)	20.8/21.2
Wading capability* at walking speed (at curb weight)	450.0
* Up to a depth approximately level with the floor at walking speed	
Weight, kg (min-max, depending on setup)	~2818*
Max. trailer weight, kg	2200
Max roof load, kg	100
Approach angle (degr.) (A116-1)	19.3
Breakover angle (degr.) (A117)	18.2
Departure angle (degr.) (A116-2)	21.0
Drag coefficient, Cd	Down to 0.29
* Depending on setup	
INTERIOR MEASUREMENTS AND VOLUMES (CM)	
Headroom maximum, with panoramic sunroof (front) (H62-1 SR)	112.2
Headroom with panoramic sunroof (front/rear/third row) (H61-1 SR / H61-2 SR / H61-3 SR)	107.5/105.6/90.9
Passenger comp width at shoulder height (front/rear/third row) (W3-1 / W3-2 / W3-3)	147.5/146.7/118.6
Hip room front/rear (front/rear/third row) (W5-1 / W5-2 / W5-3)	142.2/143.4/109.6
Leg room (front/rear/third row) (L34 / L51-2 / L51-3)	103.9/92.6/81.1
LUGGAGE VOLUMES (CM)	
Largest Luggage volume - First (including under floor storage) (V214-1)	up to 1915
(Largest volume. Load height limited by the headlining. Front limited by vertical plane tangential to the rear side of the front seatback)	
Largest Luggage volume - Second (including under floor storage) (V214-2)	up to 1010
(Second seat up. Load height limited by the headlining. Front limited by vertical plane tangential to the rear side of the second seatback)	
Largest Luggage volume - Third (including under floor storage) (V214-3)	up to 365
(Third seat up. Load height limited by the headlining. Front limited by vertical plane tangential to the rear side of the third seatback)	
Open Luggage Compartment - First (including under floor storage) (V211-1)	up to 1040
(Second seat folded. Load height limited to upper edge of the front seatback or lower edge of the rear window)	
Open Luggage Compartment - Second (including under floor storage) (V211-2)	up to 655
(Second seat up. Load height limited to the upper edge of the second seatback or second window)	
Open Luggage Compartment - Third (including under floor storage) (V211-3)	up to 310
(Third seat up. Load height limited to the upper edge of the third seatback or second window)	
Separate Storage Areas in Luggage Compartment (V209)	up to 65
(Closed storage areas located around the luggage compartments, behind wheel arches, under the floor, or any other area)	
Frunk volume, W/O warning triangle (incl TMK) / With warning triangle (incl TMK) (litres)	37/34
Cargo length from the first seatback to the tailgate measured at: the height of the floor covering (L212-1)	205.1
Cargo length from the first seatback to the tailgate measured at: the top of the first seatback (L214-1)	191.1
Cargo length from the second seatback to the tailgate measured at: the height of the floor covering (L212-2)	127.6
Cargo length from the second seatback to the tailgate measured at: the top of the second seatback (L214-2)	109.0
Cargo length from the third seatback to the tailgate measured at: the height of the floor covering (L212-3)	56.9
Cargo length from the third seatback to the tailgate measured at: the top of the third seatback (L214-3)	37.8
Cargo floor height to ground (curb weight) (H253)	78.8
Rear opening height car center line (H202)	77.9
Cargo height rear wheel center and car center line (H201)	86.2
Cargo floor width, min. between wheel housings (W202)	1130
Rear opening width upper, min. (W205)	94.9
Rear opening width at floor, min. (W207)	113.8

EX90 7-SEAT



CHASSIS	
Suspension	front: Double Wishbone Suspension, Hydraulic Shock Absorbers, Stabilizer Bar, Dual Chamber Air Suspension rear: Integral link Suspension, Hydraulic Shock Absorbers, Stabilizer Bar, Dual Chamber Air Suspension
Steering	Electric Power Assisted Rack and Pinion Steering
Turning circle, m	11.8 m (curb to curb) (tire 255/295) 12.2 m (wall to wall) (tire 255/295)
Braking system	Antilock Braking System (ABS) with Electronic Brake Distribution (EBD) and Electronic Brake Assistance (EBA)
Braking distance, 100–0 km/h	35 m
Brake disc dimensions (Brake diameter 20")	front 400 mm rear 390 mm
Brake disc dimensions (Brake thickness 20")	front 38 mm rear 25 mm