

ENGINES

Type
Configuration
Displacement, cm ³
Bore (mm)
Stroke (mm)
Engine cylinder block material
Cylinder head material
Compression ratio
Valves, no/cylinder
Camshafts
Engine management system
Ignition sequence
Engine idling speed, rpm
Fuel, rec. octane
Max output, kW (hp)/rpm
Max torque, Nm/rpm

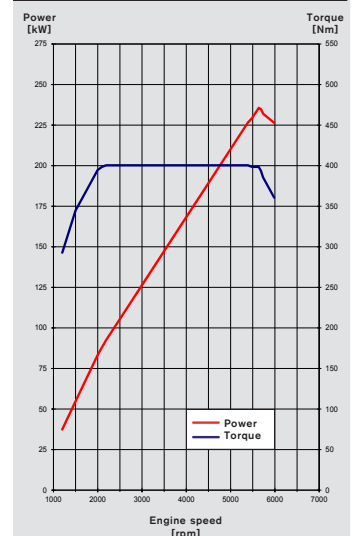
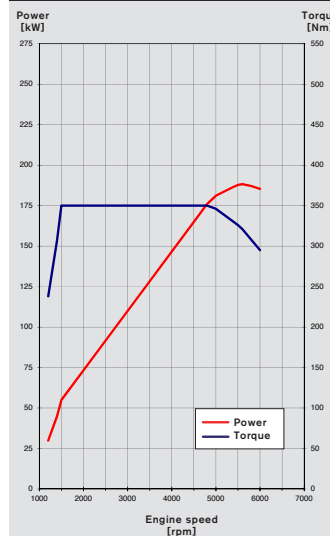
T4 (B4204T44)
In-line 4-cyl. turbocharged
Transverse, front wheel drive
1969
82.0
93.2
Aluminium
Aluminium
10.8:1
4
2
Gasoline direct injection
1 - 3 - 4 - 2
850 ± 100
95-98 RON
140 (190)/5000
300/1400-4000

T5 (B4204T23)
In-line 4-cyl. turbocharged
Transverse, front wheel drive
1969
82.0
93.2
Aluminium
Aluminium
10.8:1
4
2
Gasoline direct injection
1 - 3 - 4 - 2
850 ± 100
95-98 RON
187 (254)/5500
350/1500-4800

T8 AWD (B4204T35)
In-line 4-cyl. supercharged and turbocharged
Transverse, front wheel drive, rear electric motor
1969
82.0
93.2
Aluminium
Aluminium
10.3:1
4
2
Gasoline direct injection
1 - 3 - 4 - 2
850±100
95-98 RON
235 (320)/5700
400/2200-5400

POWER AND TORQUE →

NOT AVAILABLE



Manual gearbox/final drive
Automatic gearbox/final drive
PERFORMANCE
Gearbox
Acceleration, 0-100 km/h (sec)
Top speed, km/h
Fuel consumption l/100 km (Combined)
CO ₂ g/km

-	
AW TG-81SC	3.075
Automatic	
8.9	
210	
6.9	
165	

-	
AW TG-81SC	3.075
Automatic	
7.2	
230	
7.1	
170	

-	
AW TG-81SD	3.200
Automatic	
5.3	
230	
~2.6*	
~60*	

* Weighted EI + Gasoline

Battery type
Battery content, total amount of energy (kwh)
Battery charging time*, at 16A/10A/6A fuse (hours)
Range (Km) (NEDC China for hybrids)
Electrical motor max power (kW/rps)
Electrical motor max torque (Nm/rps)
Driveline max power (hp)
Driveline max power (kW)
Driveline max torque (Nm)
Battery placement

Lithium-ion battery
TBD
TBD
~50**
65/117
240/0-50
~407 (320+87)
~300 (235***+65)
~640 (400***+240)
Centrally in the tunnel of the car

*) Time pending on e.g. ambient temp
 **) NEDC China cycle range
 ***) In "Hybrid", "Power" and "EL-AWD"-mode

MEASUREMENTS AND VOLUMES

EXTERIOR MEASUREMENTS (CM)

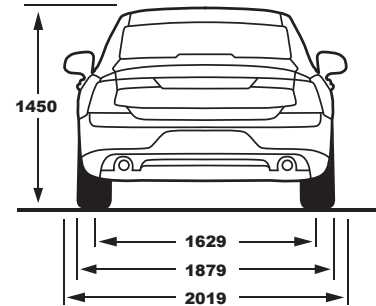
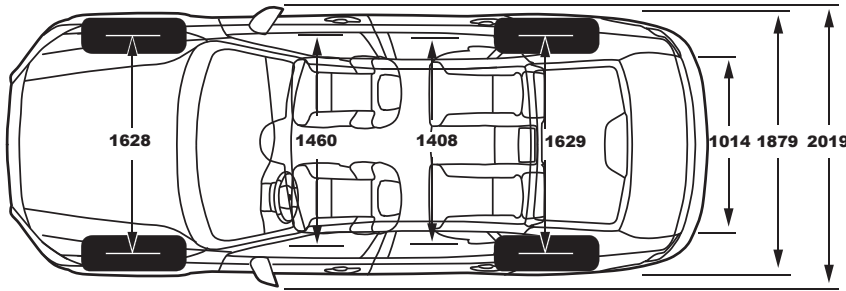
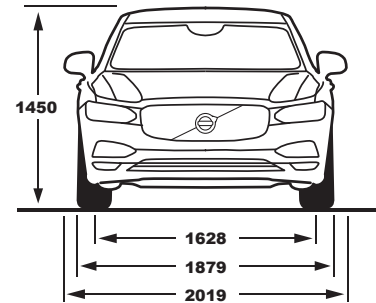
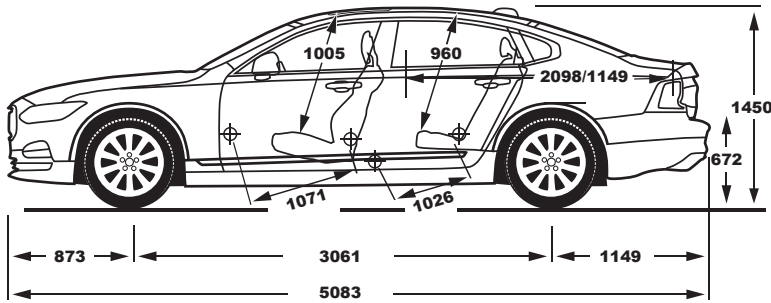
Length	508.3
Body width	187.9
Width (door mouldings)	189.0
Width (Incl mirrors, outhter edge)	201.9
Height (including shark fin)	145.0
Wheelbase	306.1
Overhang (front/rear)	87.3/114.9
Track, front, (17"+18"/19"/20")	162.8/161.8/161.7
Track, rear, (17"+18"/19"/20")	162.9/161.9/161.8
Ground clearance, curb	15.3

WEIGHTS/MISCELLANEOUS

Weight, kg (min-max, depending on setup)	1746-2163
Fuel tank, l (B4204T35/FWD)	50/55

INTERIOR MEASUREMENTS (CM)

Headroom with panoramic sunroof (front/rear) (H61-1-SR/H61-2-SR)	95.9/96.0
Headroom maximum, with panoramic sunroof (front) (H62-1-SR)	100.5
Passenger compartment width at shoulder height (front/rear) (W3-1/W3-2)	146.0/140.8
Leg room (front/rear) (L34/L51-2)	107.1/102.6
Cargo volume, including under floor storage (V210-2) (litres)	436
Cargo length at floor from the back of front seatback (L212-1)	209.8
Cargo length at floor from the back of the rear seatback (L212-2)	114.9
Loading height between cargo floor and parcel shelf (H212)	43.5
Liftover height (H196)	67.2
Width of luggage compartment between wheelhouses (W202)	102.4



TRANSMISSIONS

8-speed automatic gearbox.

RATIO	AWTG-81SC
First	5.250
Second	3.029
Third	1.950
Fourth	1.457
Fifth	1.221
Sixth	1.000
Seventh	0.809
Eighth	0.673
Reverse	4.015

CHASSIS

Suspension	front	Double Wishbone Suspension, Coil Springs, Hydraulic Shock Absorbers, Stabilizer Bar.
	rear	Integral Axle with Transverse Composite Leaf Spring, Hydraulic Shock Absorbers, Stabilizer Bar. Optional Air Suspension
Steering		Power Assisted Rack and Pinion Steering
Turning circle, curb to curb		11.8 m-12.2 m (depending on wheel size)
Braking system		Antilock Braking System (ABS) with Electronic Brake Distribution (EBD) and Electronic Brake Assistance (EBA)
Braking distance, 100-0 km/h		35 m
Brake disc diameter	front	322 mm/345 mm (Brake disc; 17"/18")
	rear	302 mm/320 mm (Brake disc; 16"/17")