

Volvo XC70

CONT'D VOLVO XC70 →

→ CONT'D VOLVO XC70

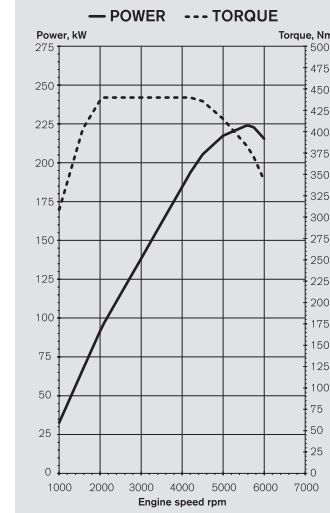
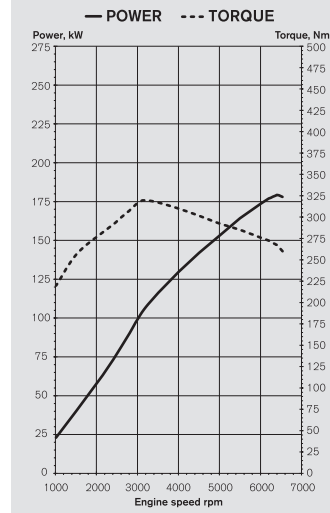
CONT'D VOLVO XC70 →

→ CONT'D VOLVO XC70

CONT'D VOLVO XC70 →

→ CONT'D VOLVO XC70

ENGINES	3.2 (B6324S5)	T6 (B6304T4)
Type	In-line 6-cyl. petrol	In-line 6-cyl. turbo petrol
Configuration	Transverse, front and all wheel drive	Transverse, all wheel drive
Displacement, cm ³	3192	2953
Bore (mm)	84.0	82.0
Stroke (mm)	96.0	93.2
Engine cylinder block material	Aluminium	Aluminium
Cylinderhead material	Aluminium	Aluminium
Compression ratio	10.8:1	9.3:1
Valves, no/cylinder	4	4
Camshafts	2	2
Engine management system	Integrated fuel (SFI) / ignition control systems	Integrated fuel (SFI) / ignition control systems
Ignition sequence	1 - 5 - 3 - 6 - 2 - 4	1 - 5 - 3 - 6 - 2 - 4
Engine idling speed, rpm	590	590
Fuel, rec. octane	91-98 RON	91-98 RON
Max output, kW (hp)/rpm.	179 (243) / 6400	224 (304) / 5600
Max torque, Nm/rpm.	320 / 3200	440 / 2100-4200



POWER AND TORQUE →

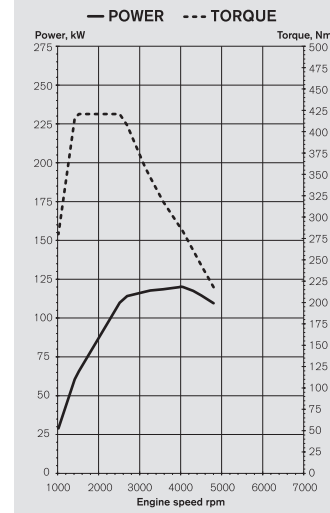
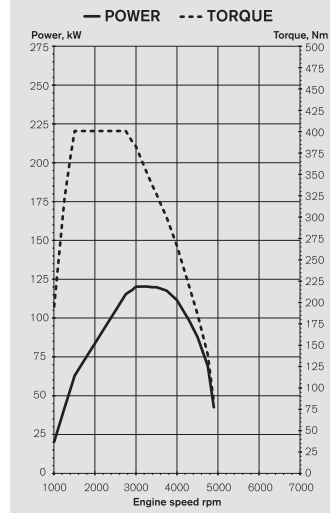
Manual gearbox/final drive			
Automatic gearbox/final drive	AW TF-80SC <small>FWD/AWD</small> 3.750 / 3.750	AW TF-80SC	3.464
PERFORMANCE			
Gearbox	Automatic <small>FWD</small>	Automatic <small>AWD</small>	Automatic
Acceleration, 0-100 km/h (sec)	8.8	9.0	6.9
Top speed, km/h	210	210	210
Fuel consumption l/100 km (Combined)	10.1	10.1	10.6
CO ₂ g/km	234	234	248

TRANSMISSIONS

6-speed manual and automatic gearbox.
6-speed powershift.

RATIO	AWTF-80SC (FWD)	AWTF-80SC (AWD)	M66K M3A	M66E N5A
First	4.148	4.148	3.583	3.750
Second	2.370	2.370	1.905	1.905
Third	1.556	1.556	1.194	1.194
Fourth	1.155	1.115	0.838	0.838
Fifth	0.859	0.859	0.652	0.652
Sixth	0.686	0.686	0.540	0.540
Reverse	3.394	3.394	3.395	3.436

ENGINES	D4 (D5204T3)	D4 (D5244T17)
Type	In-line 5-cyl. turbo diesel	In-line 5-cyl. turbo diesel
Configuration	Transverse, front wheel drive	Transverse, all wheel drive
Displacement, cm ³	1984	2400
Bore (mm)	81.0	81.0
Stroke (mm)	77.0	93.15
Engine cylinder block material	Aluminium	Aluminium
Cylinderhead material	Aluminium	Aluminium
Compression ratio	16.5:1	16.5:1
Valves, no/cylinder	4	4
Camshafts	2	2
Engine management system	Electronically controlled common rail direct injection	Electronically controlled common rail direct injection
Ignition sequence	1 - 2 - 4 - 5 - 3	1 - 2 - 4 - 5 - 3
Engine idling speed, rpm	700	700 Auto / 740 man
Fuel, rec. octane	Cetane Number: Min 48	Cetane Number: Min 48
Max output, kW (hp)/rpm.	120 (163) / 3500	120 (163) / 4000
Max torque, Nm/rpm.	400 / 1500-2750	420 / 1500-2500



POWER AND TORQUE →

Manual gearbox/final drive	M66K M3A	4.000	M66E N5A	4.530
Automatic gearbox/final drive	AW TF-80SC	3.329	AW TF-80SC	3.604
PERFORMANCE				
Gearbox	Manual	Automatic	Manual	Automatic
Acceleration, 0-100 km/h (sec)	10.2	10.2	10.4	10.8
Top speed, km/h	205	200	200	195
Fuel consumption l/100 km (Combined)	5.3	5.9	5.3	6.4
CO ₂ g/km	139	154	139	169

CHASSIS

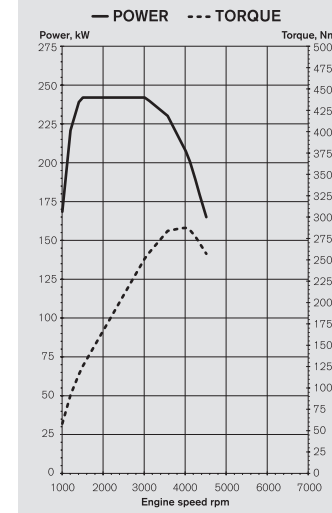
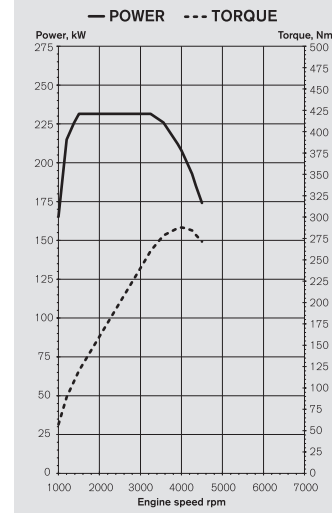
Suspension	front	MacPherson Strut, Coil Springs, Hydraulic Shock Absorbers, Stabilizer Bar
	rear	Independent Suspension with Coil Springs, Hydraulic Shock Absorbers, Stabilizer Bar
Steering	Power Assisted Rack and Pinion Steering	
Turning circle, (curb to curb)	11.5 m	
Braking system	Antilock Braking System (ABS) with Electronic Brake Distribution (EBD) and Electronic Brake Assistance (EBA)	
Braking distance, 100-0 km / h	39 m	
Brake disc diameter	front	316 mm
	rear	302 mm

Feb. 2013

All figures are preliminary. Volvo Cars reserves the right to make changes in the specifications without any notice.

1

ENGINES	D5 (D5244T11)	D5 (D5244T15)
Type	In-line 5-cyl. turbo diesel	In-line 5-cyl. turbo diesel
Configuration	Transverse, all wheel drive	Transverse, all wheel drive
Displacement, cm ³	2400	2400
Bore (mm)	81.0	81.0
Stroke (mm)	93.15	93.15
Engine cylinder block material	Aluminium	Aluminium
Cylinderhead material	Aluminium	Aluminium
Compression ratio	16.5:1	16.5:1
Valves, no/cylinder	4	4
Camshafts	2	2
Engine management system	Electronically controlled common rail direct injection	Electronically controlled common rail direct injection
Ignition sequence	1 - 2 - 4 - 5 - 3	1 - 2 - 4 - 5 - 3
Engine idling speed, rpm	740	700
Fuel, rec. octane	Cetane Number: Min 48	Cetane Number: Min 48
Max output, kW (hp)/rpm.	158 (215) / 4000	158 (215) / 4000
Max torque, Nm/rpm.	420 / 1500-3250	440 / 1500-3000



POWER AND TORQUE →

Manual gearbox/final drive	M66E N5A	4.530		
Automatic gearbox/final drive			AW TF-80SC	3.604
PERFORMANCE				
Gearbox	Manual	Automatic		
Acceleration, 0-100 km/h (sec)	8.0	8.3		
Top speed, km/h	210	205		
Fuel consumption l/100 km (Combined)	5.3	6.4		
CO ₂ g/km	139	169		

Feb. 2013

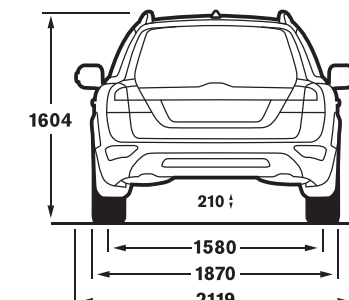
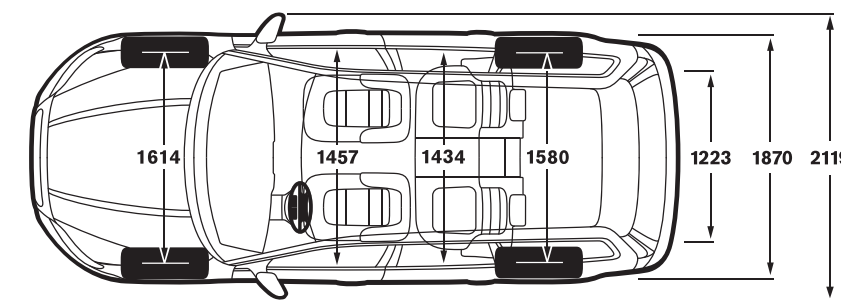
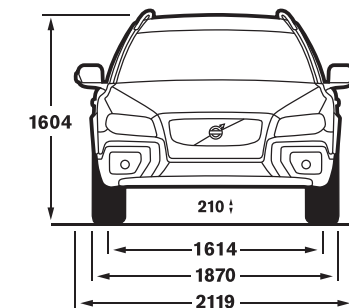
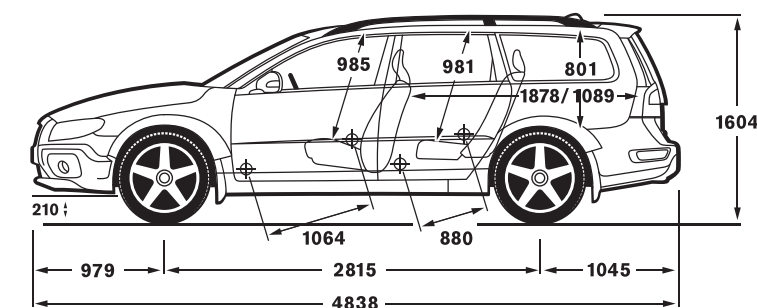
All figures are preliminary. Volvo Cars reserves the right to make changes in the specifications without any notice.

2

MEASUREMENTS AND VOLUMES	
EXTERIOR MEASUREMENTS (CM)	
Length	483.8
Width (without mirrors)	187.0
Height (including shark fin)	160.4
Wheelbase	281.5
Track, front, (16"/17")	161.4 / 160.4
Track, rear, (16"/17")	158.0 / 157.0
Ground clearance, curb (5 cyl / 6 cyl engines)	21.0 / 21.5

WEIGHTS/MISCELLANEOUS	
Curb weight, kg (min-max, depending on setup)	1713-1956
Fuel tank, l	70
Max. trailer weight, kg	1600-2100
Max roof load, kg	100
Drag coefficient, Cd	0.35

INTERIOR MEASUREMENTS (CM)	
Headroom without sunroof (front/rear)	98.5 / 98.1
Headroom with sunroof (front/rear)	95.9 / 97.7
Passenger compartment width at shoulder height (front/rear)	145.7 / 143.4
Leg room (front/rear)	106.4 / 88.0
Cargo volume, including under floor storage (ISO V211)	575
Cargo length from the first seatback to the tailgate measured at: - the height of the floor covering	187.8
Cargo length from the second seatback to the tailgate measured at: - the height of the floor covering	108.9
Cargo height (rear wheel center and car center line)	80.1
Rear opening height (car center line)	72.4
Width of luggage compartment between wheelhouses	113.0



Feb. 2013

All figures are preliminary. Volvo Cars reserves the right to make changes in the specifications without any notice.

3

Feb. 2013

All figures are preliminary. Volvo Cars reserves the right to make changes in the specifications without any notice.

4