

# Volvo XC60

CONT'D VOLVO XC60 →

→ CONT'D VOLVO XC60

CONT'D VOLVO XC60 →

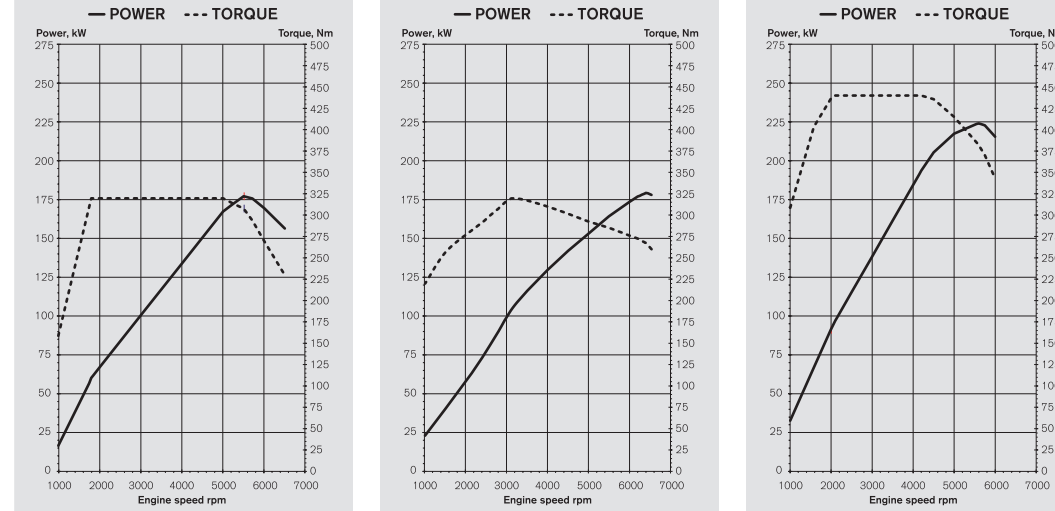
→ CONT'D VOLVO XC60

CONT'D VOLVO XC60 →

→ CONT'D VOLVO XC60

ENGINES	T5 (B4204T7)	3.2 (B6324S5)	T6 (B6304T4)
Type	In-line 4-cyl. turbo petrol	In-line 6-cyl. petrol	In-line 6-cyl. turbo petrol
Configuration	Transverse, front wheel drive	Transverse, front and all wheel drive	Transverse, all wheel drive
Displacement, cm <sup>3</sup>	1999	3192	2953
Bore (mm)	87.5	84.0	82.0
Stroke (mm)	83.1	96.0	93.2
Engine cylinder block material	Aluminium	Aluminium	Aluminium
Cylinderhead material	Aluminium	Aluminium	Aluminium
Compression ratio	10.0:1	10.8:1	9.3:1
Valves, no/cylinder	4	4	4
Camshafts	2	2	2
Engine management system	Integrated fuel (SFI) / ignition control systems	Integrated fuel (SFI) / ignition control systems	Integrated fuel (SFI) / ignition control systems
Ignition sequence	1 - 3 - 4 - 2	1 - 5 - 3 - 6 - 2 - 4	1 - 5 - 3 - 6 - 2 - 4
Engine idling speed, rpm	780	590	590
Fuel, rec. octane	91-98 RON	91-98 RON	91-98 RON
Max output, kW (hp)/rpm.	177 (240) / 5500	179 (243) / 6400	224 (304) / 5600
Max torque, Nm/rpm.	320 / 1800-5000	320 / 3200	440 / 2100-4200

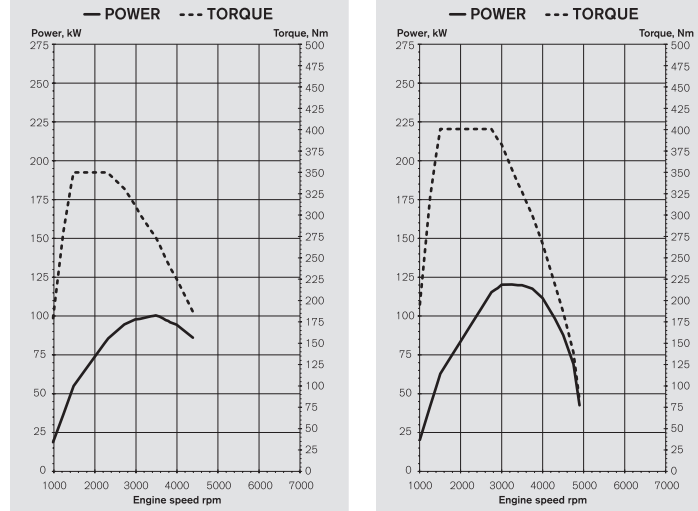
## POWER AND TORQUE →



Manual gearbox/final drive				
Automatic gearbox/final drive	MPS6-7	4.533/3.091	AW TF-80SC <small>FWD/AWD</small> 3.75/3.75	AW TF-80SC 3.75
<b>PERFORMANCE</b>				
Gearbox		Automatic	Automatic <small>FWD</small>	Automatic <small>AWD</small>
Acceleration, 0-100 km/h (sec)		8.1	9.6	9.9
Top speed, km/h		210	210	210
Fuel consumption l/100 km (Combined)		8.5	9.9	10.7
CO <sub>2</sub> g/km		198	229	249

ENGINES	D3 (D5204T7)	D4 (D5244T3)
Type	In-line 5-cyl. turbo diesel	In-line 5-cyl. turbo diesel
Configuration	Transverse, front wheel drive	Transverse, front wheel drive
Displacement, cm <sup>3</sup>	1984	1984
Bore (mm)	81.0	81.0
Stroke (mm)	77.0	77.0
Engine cylinder block material	Aluminium	Aluminium
Cylinderhead material	Aluminium	Aluminium
Compression ratio	16.5:1	16.5:1
Valves, no/cylinder	4	4
Camshafts	2	2
Engine management system	Electronically controlled common rail direct injection	Electronically controlled common rail direct injection
Ignition sequence	1 - 2 - 4 - 5 - 3	1 - 2 - 4 - 5 - 3
Engine idling speed, rpm	700	700
Fuel, rec. octane	Cetane Number: Min 48	Cetane Number: Min 48
Max output, kW (hp)/rpm.	100 (136) / 3500	120 (163) / 3500
Max torque, Nm/rpm.	350 / 1500-2250	400 / 1500-2750

## POWER AND TORQUE →



Manual gearbox/final drive	M66K M4A	4.267	M66K M4A	4.267
Automatic gearbox/final drive	AW TF80SC	3.604	AW TF80SC	3.604
<b>PERFORMANCE</b>				
Gearbox	Manual	Automatic	Manual	Automatic
Acceleration, 0-100 km/h (sec)	11.2	11.2	10.3	10.3
Top speed, km/h	190	185	200	195
Fuel consumption l/100 km (Combined)	5.3	6.0	5.3	6.0
CO <sub>2</sub> g/km	139	159	139	159

CHASSIS		
Suspension	front	MacPherson Strut, Coil Springs, Hydraulic Shock Absorbers, Stabilizer Bar
	rear	Independent Suspension with Coil Springs, Hydraulic Shock Absorbers, Stabilizer Bar
Steering		Power Assisted Rack and Pinion Steering
Turning circle, (curb to curb)		11.7 m
Braking system		Antilock Braking System (ABS) with Electronic Brake Distribution (EBD) and Electronic Brake Assistance (EBA)
Braking distance, 100-0 km / h		39 m
Brake disc diameter	front	328 mm
	rear	302 mm

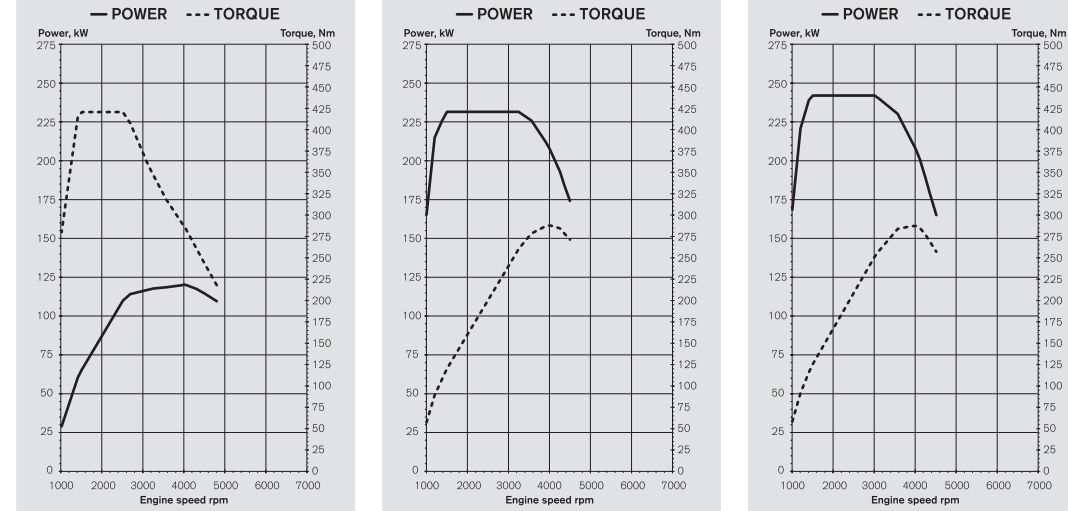
Feb. 2013

All figures are preliminary. Volvo Cars reserves the right to make changes in the specifications without any notice.

1

ENGINES	D4 (D5244T17)	D5 (D5244T11)	D5 (D5244T15)
Type	In-line 5-cyl. turbo diesel	In-line 5-cyl. turbo diesel	In-line 5-cyl. turbo diesel
Configuration	Transverse, all wheel drive	Transverse, all wheel drive	Transverse, all wheel drive
Displacement, cm <sup>3</sup>	2400	2400	2400
Bore (mm)	81.0	81.0	81.0
Stroke (mm)	93.2	93.15	93.15
Engine cylinder block material	Aluminium	Aluminium	Aluminium
Cylinderhead material	Aluminium	Aluminium	Aluminium
Compression ratio	16.5:1	16.5:1	16.5:1
Valves, no/cylinder	4	4	4
Camshafts	2	2	2
Engine management system	Electronically controlled common rail direct injection	Electronically controlled common rail direct injection	Electronically controlled common rail direct injection
Ignition sequence	1 - 2 - 4 - 5 - 3	1 - 2 - 4 - 5 - 3	1 - 2 - 4 - 5 - 3
Engine idling speed, rpm	700 man / 740 aut	740	700
Fuel, rec. octane	Cetane Number: Min 48	Cetane Number: Min 48	Cetane Number: Min 48
Max output, kW (hp)/rpm.	120 (163) / 4000	158 (215) / 4000	158 (215) / 4000
Max torque, Nm/rpm.	400 / 1500-2500	420 / 1500-3250	440 / 1500-3000

## POWER AND TORQUE →



Manual gearbox/final drive	M66E N6A	4.786	M66E N6A	4.786
Automatic gearbox/final drive	AW TF-80SC	3.750	AW TF-80SC	3.750
<b>PERFORMANCE</b>				
Gearbox	Manual	Automatic	Manual	Automatic
Acceleration, 0-100 km/h (sec)	10.5	10.9	8.1	8.3
Top speed, km/h	195	190	210	205
Fuel consumption l/100 km (Combined)	5.3	6.4	5.3	6.4
CO <sub>2</sub> g/km	139	169	139	169

Feb. 2013

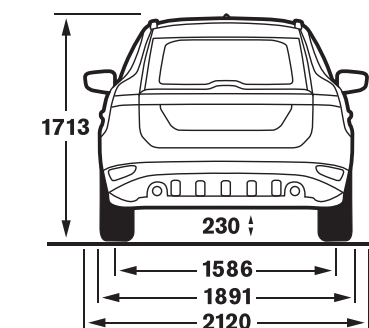
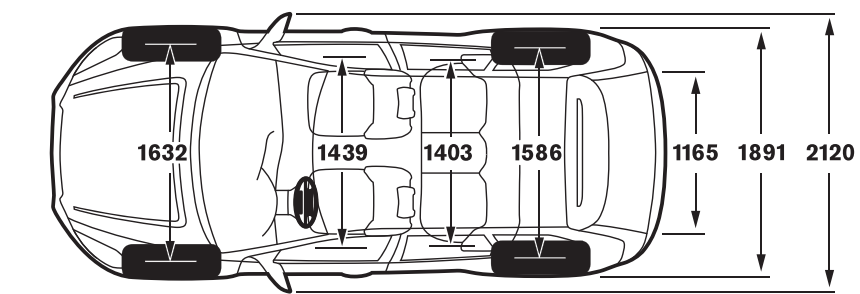
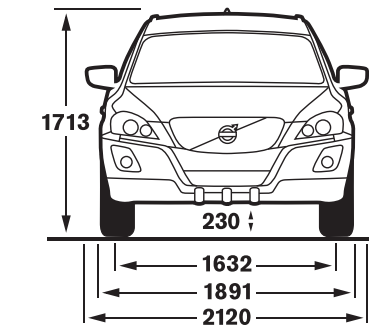
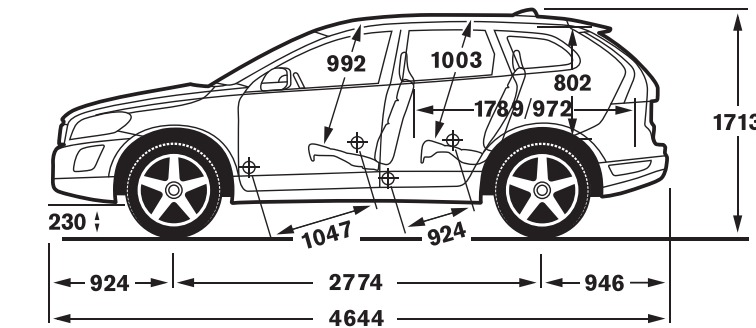
All figures are preliminary. Volvo Cars reserves the right to make changes in the specifications without any notice.

2

MEASUREMENTS AND VOLUMES	
<b>EXTERIOR MEASUREMENTS (CM)</b>	
Length	464.4
Width (without mirrors)	189.1
Height (including shark fin)	171.3
Wheelbase	277.4
Track, front, (17"/18")	163.2 / 163.2
Track, rear, (17"/18")	158.6 / 158.6
Ground clearance	23.0

WEIGHTS/MISCELLANEOUS	
Curb weight, kg (min-max, depending on setup)	1696-1826
Fuel tank, l	70
Max. trailer weight, kg	1600-2000
Max roof load, kg	100
Drag coefficient, Cd	0.35

INTERIOR MEASUREMENTS (CM)	
Headroom without panorama roof (front/rear)	992 / 1003
Headroom with panorama roof (front/rear)	969 / 969
Passenger compartment width at shoulder height (front/rear)	143.9 / 140.3
Leg room (front/rear)	104.7 / 92.4
Cargo volume, including under floor storage (ISO V211)	490
Cargo length from the first seatback to the tailgate measured at: - the height of the floor covering	178.9
Cargo length from the second seatback to the tailgate measured at: - the height of the floor covering	97.2
Cargo height (rear wheel center and car center line)	80.2
Rear opening height (car center line)	80.2
Width of luggage compartment between wheelhouses	113.0



Feb. 2013

All figures are preliminary. Volvo Cars reserves the right to make changes in the specifications without any notice.

3

Feb. 2013

All figures are preliminary. Volvo Cars reserves the right to make changes in the specifications without any notice.

4