

Volvo V60 Cross Country

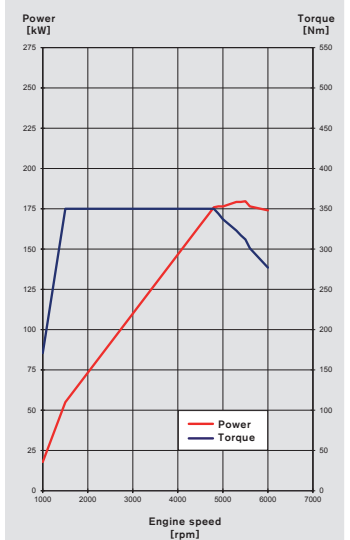
CONT'D VOLVO V60 →
CROSS COUNTRY

ENGINES

Type
Configuration
Displacement, cm ³
Bore (mm)
Stroke (mm)
Engine cylinder block material
Cylinderhead material
Compression ratio
Valves, no/cylinder
Camshafts
Engine management system
Ignition sequence
Engine idling speed, rpm
Fuel, rec. octane
Max output, kW (hp)/rpm
Max torque, Nm/rpm

T5 & T5 AWD (B4204T11)
In-line 4-cyl. turbocharged
Transverse, front & all wheel drive
1969
82.0
93.2
Aluminium
Aluminium
10.8:1
4
2
Gasoline direct injection
1 - 3 - 4 - 2
850±100
95-98 RON
180 (245)/5500
350/1500-4800

POWER AND TORQUE →



Manual gearbox/final drive
Automatic gearbox/final drive
PERFORMANCE
Gearbox
Acceleration, 0-100 km/h (sec)
Top speed, km/h
Fuel consumption l/100 km (combined)
CO ₂ g/km

-	
AW TG-81SC	3.075/3.329
Automatic (FWD)	Automatic (AWD)
6.6	6.8
210	210
6.6	7.4
153	168

TRANSMISSIONS

- 6-speed manual gearbox
- 6-speed automatic transmission
- 8-speed automatic transmission

RATIO	M66F	AW TF -80SD	AW TG -81SC
First	3.583	4.148	5.250
Second	2.050	2.370	3.029
Third	1.267	1.556	1.950
Fourth	0.838	1.155	1.457
Fifth	0.617	0.859	1.221
Sixth	0.510	0.686	1.000
Seventh	-	-	0.809
Eighth	-	-	0.673
Reverse	2.833	3.394	4.015

ENGINES

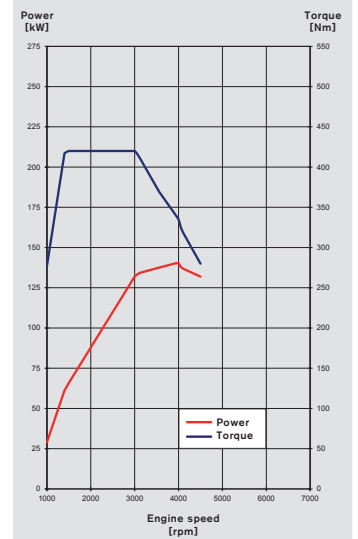
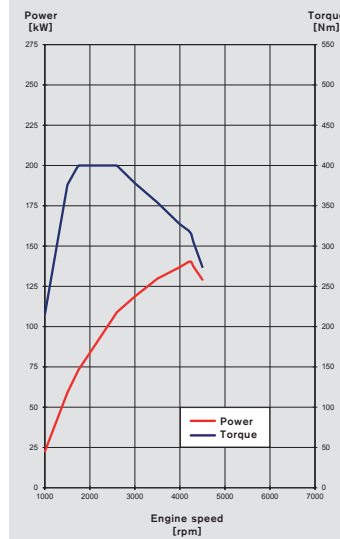
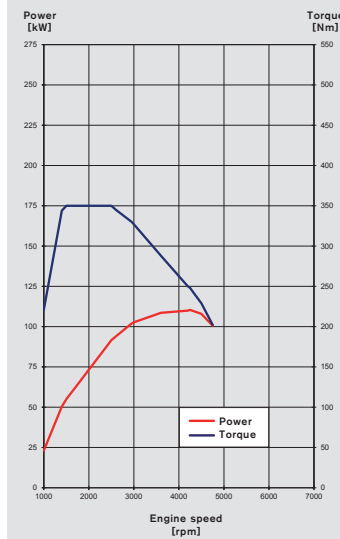
Type
Configuration
Displacement, cm ³
Bore (mm)
Stroke (mm)
Engine cylinder block material
Cylinderhead material
Compression ratio
Valves, no/cylinder
Camshafts
Engine management system
Ignition sequence
Engine idling speed, rpm
Fuel
Max output, kW (hp)/rpm
Max torque, Nm/rpm

D3 (D4204T4)
In-line 4-cyl. turbo diesel
Transverse, front wheel drive
1969
82.0
93.2
Aluminium
Aluminium
15.8:1
4
2
Electronically controlled common rail direct injection
1 - 3 - 4 - 2
825±150
Diesel*
110 (150)/4250
350/1500–2500

D4 (D4204T14)
In-line 4-cyl. twin turbo diesel
Transverse, front wheel drive
1969
82.0
93.2
Aluminium
Aluminium
15.8:1
4
2
Electronically controlled common rail direct injection
1 - 3 - 4 - 2
825±150
Diesel*
140 (190)/4250
400/1750–2500

D4 AWD (D5244T21)
In-line 5-cyl. twin turbo diesel
Transverse, all wheel drive
2400
81.0
93.2
Aluminium
Aluminium
16.5:1
4
2
Electronically controlled common rail direct injection
1 - 2 - 4 - 5 - 3
740±25
Diesel*
140 (190)/4000
440/1500–2750

POWER AND TORQUE →



Manual gearbox/final drive	M66F	4.267
Automatic gearbox/final drive	AW TG-81SC	2.839

Manual	Automatic
9.1	9.1
205	205
4.2 (4.2**)	4.6
111 (110**)	120

Manual	Automatic
7.8	7.8
210	210
4.2 (4.2**)	4.6
111 (110**)	120

-	Automatic
AW TG-81SD	3.329
	8.9
	205
	5.7
	149

PERFORMANCE

Gearbox
Acceleration, 0–100 km/h (sec)
Top speed, km/h
Fuel consumption l/100 km (combined)
CO ₂ g/km

*According to EN590
Maximum biodiesel (FAME) content 7%
** Restricted offer

*According to EN590
Maximum biodiesel (FAME) content 7%
** Restricted offer

*According to EN590
Maximum biodiesel (FAME) content 7%

MEASUREMENTS AND VOLUMES

EXTERIOR MEASUREMENTS (CM)

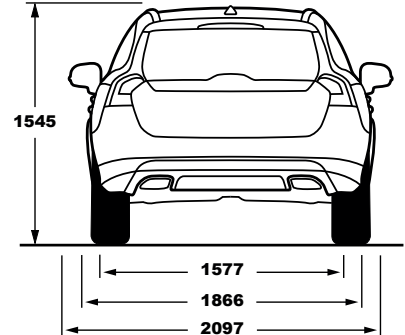
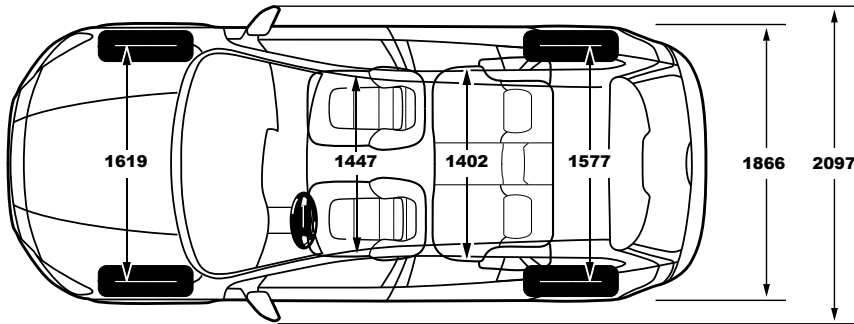
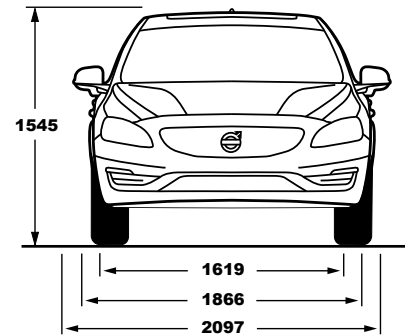
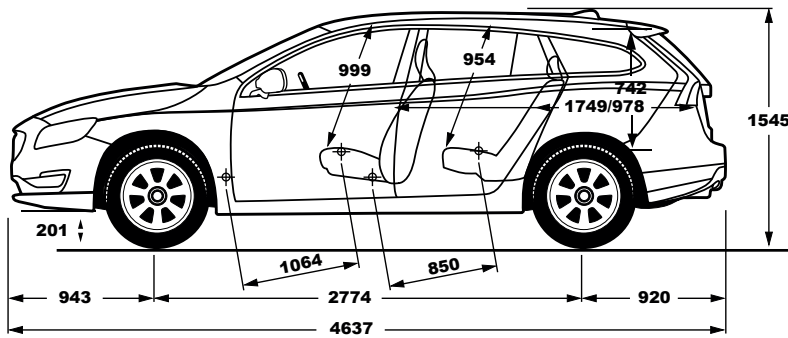
Length	463.7
Width (body width)	182.5
Width (incl mirrors outer edge)	209.7
Height (including shark fin antenna)	154.5
Wheelbase	277.4
Track, front, (tire width): 215/235	161.9/160.9
Track, rear, (tire width): 215/235	157.7/156.7
Ground clearance	20.1

WEIGHTS/MISCELLANEOUS

Weight, kg (min-max, depending on setup)	1699-1823
Fuel tank, l	67.5
Max. trailer weight, kg (depending on setup)	1600-1900
Max roof load, kg	75
Drag coefficient, Cd	0.34

INTERIOR MEASUREMENTS (CM)

Headroom without sunroof (front/rear row) (H61-1/H61-2)	97.3/95.4
Headroom with sunroof (front/rear row) (H61-1 SR/H61-2 SR)	95.5/95.4
Headroom maximum, without sunroof (front) (H62-1)	99.9
Headroom maximum, with sunroof (front) (H62-1 SR)	98.4
Passenger comp width at shoulder height (front/rear) (W3-1/W3-2)	144.7/140.2
Leg room (front/rear row) (L34/L51-2)	106.4/85.0
Cargo volume, including under floor storage (ISO V214) (litres)	1241
Cargo length from the first seatback to the tailgate measured at:	
– the height of the floor covering (SAE L202-1)	174.9
Cargo length from the second seatback to the tailgate measured at:	
– the height of the floor covering (SAE L202-2)	97.8
Cargo height (rear wheel center and car center line) (SAE H201)	74.2
Rear opening height (car center line) (GCIE H202)	65.8
Width of luggage compartment between wheelhouses (GCIE W202)	109.0



CHASSIS

Suspension	front	McPherson Strut, Coil Springs, Hydraulic Shock Absorbers, Stabilizer Bar
	rear	Trailing arm with Coil Springs, Hydraulic Shock Absorbers, Stabilizer Bar
Steering		Power Assisted Rack and Pinion Steering
Turning circle, (curb to curb)		11.4 m
Braking system		Antilock Braking System (ABS) with Electronic Brake Distribution (EBD) and Brake Assistance (BA) + Hill Descent Control (HDC)
Braking distance, 100-0 km/h		37 m
Brake disc diameter	front	316 mm
	rear	302 mm